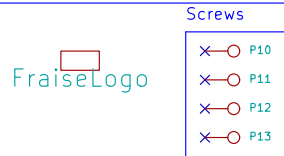
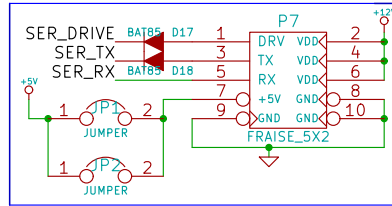
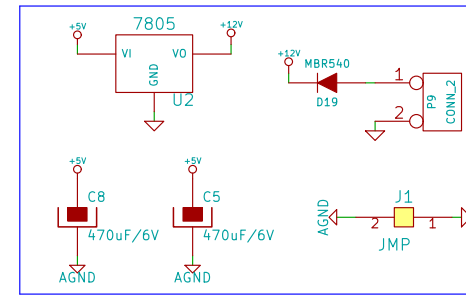


4 mot pwm->EN : EN1A=CCP5 EN1B=CCP3 EN2A=CCP1 EN2B=P2B
 4 mot A->EN B->IN : EN1A=CCP5 EN1B=CCP3 IN2_1=P1D IN2_3=CCP2
 3 mot + 2 captures : EN1A=CCP5 EN1B=CCP3 IN2_1=P1D K7=CCP4 K1=CCP2
 3 mot + 2 captures : EN1A=CCP5 EN1B=P2B IN2_1=P1D K7=CCP4 K5=CCP3 (mais plus de TX...)

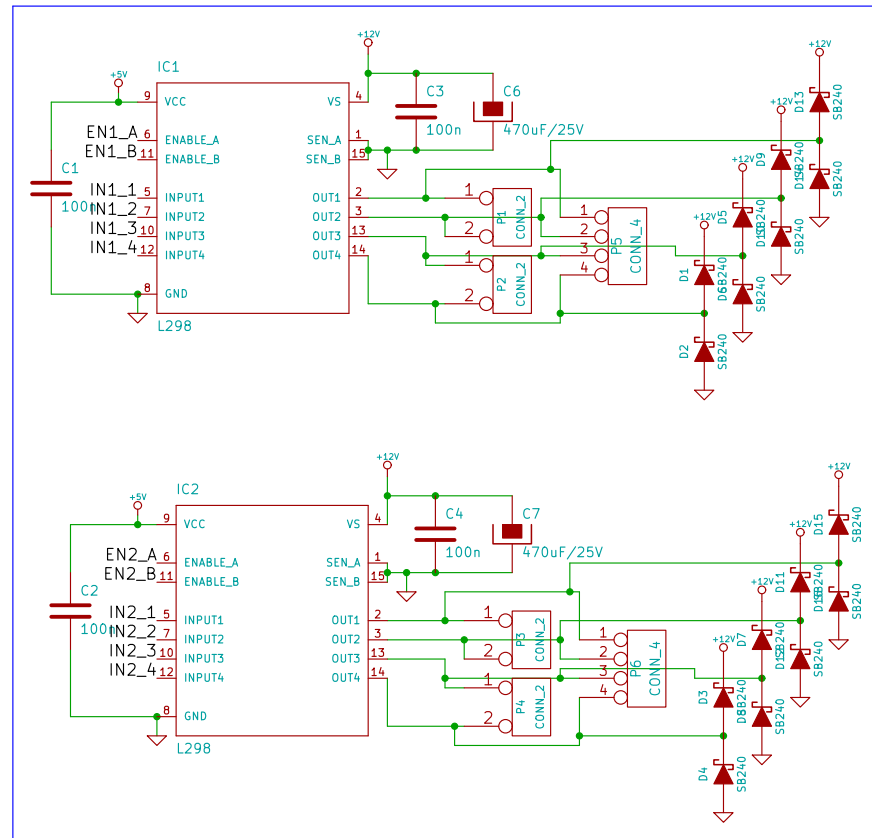
Fraise



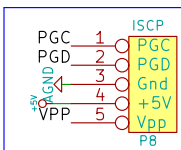
Power



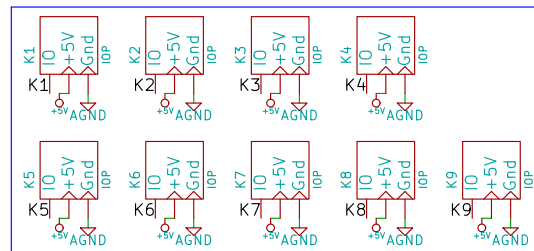
Bridges



ISCP



IO ports



File: Project.sch		
Sheet: /		
Title:		
Size: A4	Date: 5 nov 2012	Rev:
KiCad E.D.A.		Id: 1/1